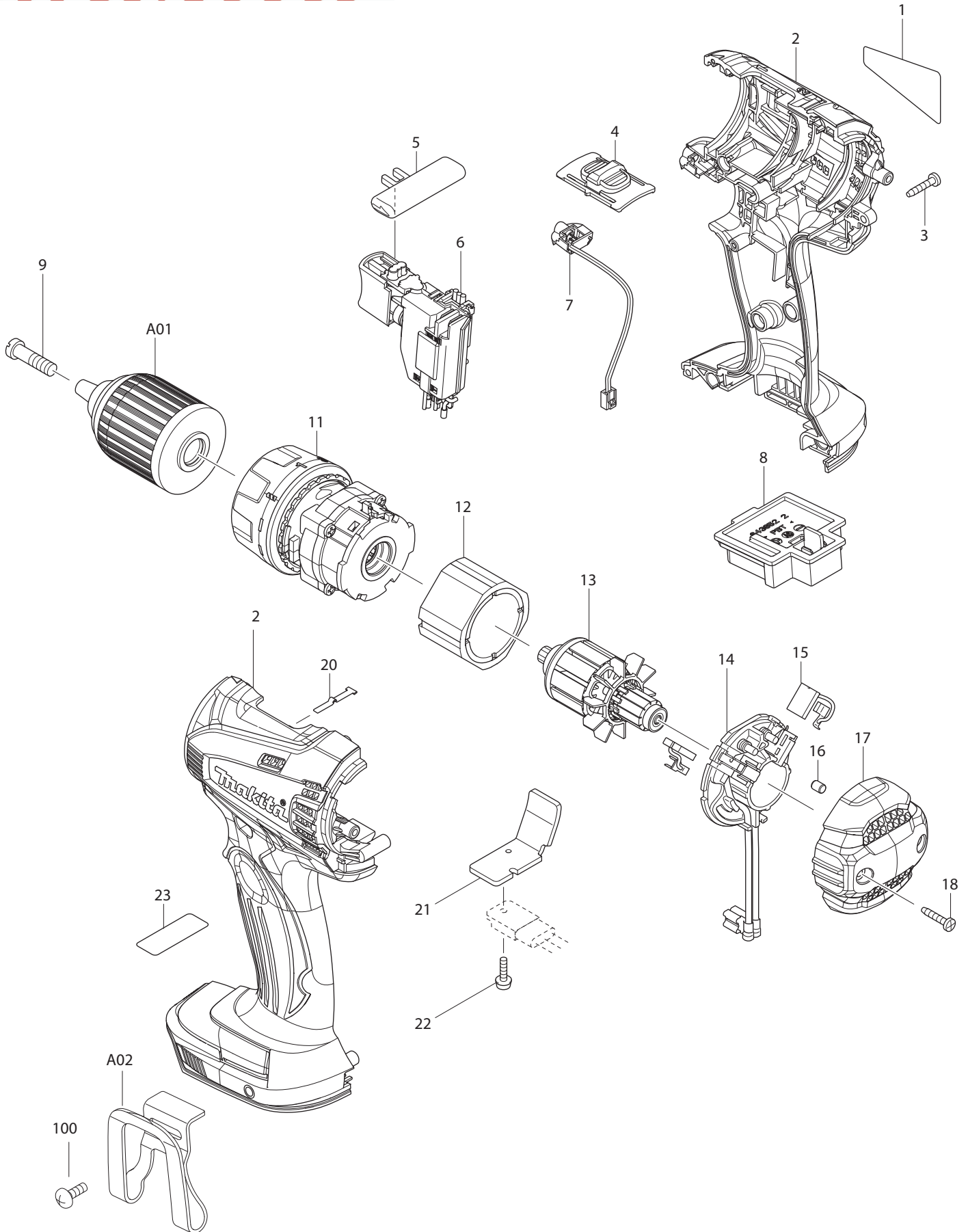




11 - 2013  
DDF456RFE / DDF456SYE / DDF456SYEW / DDF456Z

### 18V 1/2" DRIVER DRILL



Item No	Type	Ref	Part No	Description	Qty	Unit
1			815C16-8	NAME PLATE F/DDF456	1	PC.
2			188932-2	HOUSING SET, BLUE	1	PC.
2A			188931-4	HOUSING SET, WHITE	1	PC.
3			266429-2	TAPPING SCREW 3X16	9	PC.
4			126289-3	SPEED CHANGE LEVER ASSEMBLY	1	PC.
		INC.	233438-6	COMPRESSION SPRING 4	2	PC.
5			419250-0	F/R CHANGE LEVER	1	PC.
6	1		650637-9	SWITCH	1	PC.
	2		650731-7	SWITCH C3HZ-1A-TLMS	1	PC.
	3		650747-2	SWITCH C3HA-Z1A-TLMS	1	PC.
7	1		620012-3	LED CIRCUIT	1	PC.
	2		620388-8	LED CIRCUIT	1	PC.
8			643852-2	TERMINAL	1	PC.
9			251468-5	- FLAT HEAD SCREW M6X22	1	PC.
11	1		125831-7	GEAR ASSEMBLY	1	PC.
	2		126459-4	GEAR ASSEMBLY	1	PC.
12	1		638425-4	YOKE UNIT	1	PC.
	2		632J71-5	YOKE UNIT	1	PC.
13			619263-3	ARMATURE	1	PC.
14			638494-5	BRUSH HOLDER COMPLETE	1	PC.
15			195021-6	CARBON BRUSH CB-440 2PC/SET, W/ ORIGIN	1	SET
16			263032-0	RUBBER PIN 4	2	PC.
17			452205-2	REAR COVER, BLUE	1	PC.
17A			452202-8	REAR COVER, WHITE	1	PC.
18			266429-2	TAPPING SCREW 3X16	2	PC.
20			232182-2	LEAF SPRING	1	PC.
21			689170-4	HEAT SINK	1	PC.
22			911013-5	PAN HEAD SCREW M3X10	1	PC.
23			802P77-5	CAUTION LABEL (FR/ES)	1	PC.
100			251314-2	+ SCREW M4X12 (FOR HOOK & BIT HOLDER)	1	PC.
<b>ACCESSORIES</b>			<b>- See Catalogue or visit <a href="http://www.makita.ca">www.makita.ca</a> for more accessories -</b>			
A01			766027-7	1/2" KEYLESS DRILL CHUCK	1	PC.
A02			346449-3	HOOK F/14.4V,18V BTRY	1	PC.
A03			784637-8	+ - BIT 2-45	1	PC.
A04	1		824812-5	PLASTIC CARRYING CASE COMPLETE	1	PC.
	2		141856-3	PLASTIC CARRYING CASE COMPLETE	1	PC.
		INC.	162302-3	LATCH	2	PC.
		INC.	324207-7	SHAFT	1	PC.
		INC.	451749-9	HANDLE	1	PC.
A05			----	<a href="#">LI-ION BATTERY ACCESSORIES</a>		
A06			----	<a href="#">BATTERY CHARGER</a>		
A07			----	<a href="#">18V LI-ION BATTERY</a>		
A08			452947-8	BIT HOLDER	1	PC.